

# Butterfly Valves



Advanced Bulk and Conveying, Inc., offers high quality butterfly valves available in trims suited to meet your exact application. One piece body design, in both wafer and lug version. Valves come with epoxy coated bodies, providing excellent corrosion and wear resistance indoors or out.

**Optional Accessories:**

- Manual Actuator
- Air Actuator
- Solenoid Valve
- Limit (Proof) Switch

**Material Selection**

2" - 20" (50mm - 500mm)

**Body:**

- Cast Iron ASTM A126 Class B
- Ductile Iron ASTM A536
- Cast Steel ASTM A216 WCB
- Aluminum ASTM B26

**Disc:**

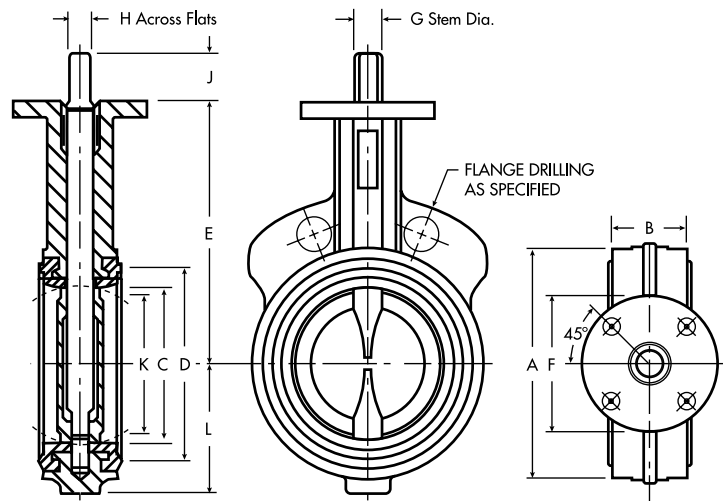
- Aluminum Bronze ASTM B148-954
- Coated Ductile Iron ASTM A536 Gr. 65-45-12
- Ductile Iron, Nylon 11 Coated ASTM A536 Gr. 65-45-12
- Ductile Iron, Halar® Coated ASTM A536 Gr. 65-45-12
- 316 Stainless Steel ASTM A351 CF8M
- Hastelloy® C-276 ASTM B575 Alloy N10276

**Seat:**

- Buna-N – Food Grade
- EPDM – Food Grade
- FKM
- White Buna-N – Food Grade

**Stem:**

- Coated Carbon Steel
- 416 Stainless Steel ASTM A582 Type 416
- 304 Stainless Steel ASTM A276 Type 304
- 316 Stainless Steel ASTM A276 Type 316
- Monel



**DIMENSIONS** Series 30 Wafer

Valve Size		A	B	C	D	E	F	Mounting Flange			G	H	J	K
Inches	mm							BC	# of Holes	Hole Dia.				
2	50	3.68	1.62	2.00	2.84	5.50	3.54	2.76	4	.39	.55	.39	1.25	1.32
2 1/2	65	4.19	1.75	2.50	3.34	6.00	3.54	2.76	4	.39	.55	.39	1.25	1.91
3	80	4.88	1.75	3.00	4.03	6.25	3.54	2.76	4	.39	.55	.39	1.25	2.55
4	100	6.06	2.00	4.00	5.16	7.00	3.54	2.76	4	.39	.63	.43	1.25	3.57
5	125	7.06	2.12	5.00	6.16	7.50	3.54	2.76	4	.39	.75	.51	1.25	4.63
6	150	8.12	2.12	5.75	7.02	8.00	3.54	2.76	4	.39	.75	.51	1.25	5.45
8	200	10.50	2.50	7.75	9.47	9.50	5.91	4.92	4	.57	.87	.63	1.25	7.45
10	250	12.75	2.50	9.75	11.47	10.75	5.91	4.92	4	.57	1.18	.87	2.00	9.53
12	300	14.88	3.00	11.75	13.47	12.25	5.91	4.92	4	.57	1.18	.87	2.00	11.47