

Cyclone Collectors



Advanced Bulk and Conveying, Inc., cyclones are a high efficiency design constructed of carbon steel. We offer several models with capacities 100 to 45,000 CFM.

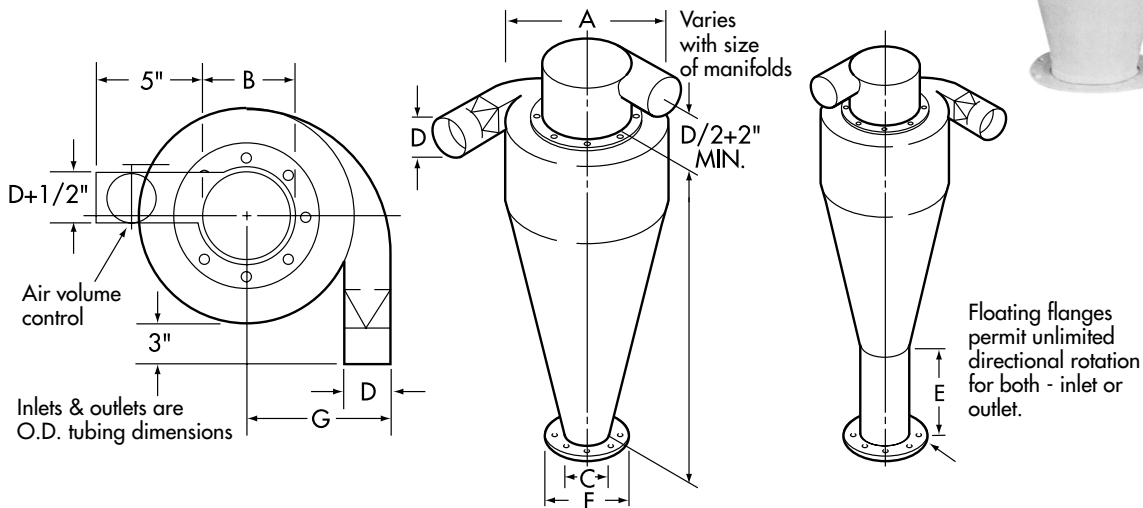
- Removes Dust and Other Particles for Processing Operations
- Separates Material from Air in Material Conveying Applications
- Floating Inlet and Outlet Flanges for Unlimited Directional Rotation
- Options Include Rain Caps, Horizontal Outlets, Sight Glasses, Multiple Inlets



Model ASC Spun Cyclone - Low Volume

The Model ASC cyclone cone is spun over a steel mandrel, producing a work-hardened surface that is extra hard and perfectly symmetrical.

- Very High Efficiency
- One Piece Spun Steel Body
- Three Height Selections



	28" HIGH SEPARATORS					48" HIGH SEPARATORS					60" HIGH SEPARATORS						
	28-9	28-12	28-15	28-18	28-21	48-9	48-12	48-15	48-18	48-21	48-24	60-9	60-12	60-15	60-18	60-21	60-24
A	9	12	15	18	21	9	12	15	18	21	24	9	12	15	18	21	24
B	4 1/2	5	6	8	10	4 1/2	5	6	8	10	12	4 1/2	5	6	8	10	12
C	5	5	5	5	7	5	5	5	5	7	7	5	5	5	5	7	7
D	2	2 1/2 or 2	3 or 3 1/2	4 or 3 1/2, 4 1/2	5 or 4 1/2, 5 1/2	2	2 1/2 or 2	3 or 3 1/2	4 or 3 1/2, 4 1/2	5 or 4 1/2, 5 1/2	6 or 5, 5 1/2	2	2 1/2 or 2	3 or 3 1/2	4 or 3 1/2, 4 1/2	5 or 4 1/2, 5 1/2	6 or 5, 5 1/2
E	-	-	-	-	-	20	20	-	-	-	-	32	32	12	12	-	-
F	9	9	9	9	11	9	9	9	9	11	11	9	9	9	9	11	11
G	75% OF INLET DIA. + RADIUS OF SEPARATOR					75% OF INLET DIA. + RADIUS OF SEPARATOR					75% OF INLET DIA. + RADIUS OF SEPARATOR						
Capacity	85	86	138	280	469	85	86	138	280	469	580	86	86	138	280	469	580
CFM	↑	↑	↑	↑	↑	↑	↑	↑	↑	↑	↑	↑	↑	↑	↑	↑	↑
	154	225	310	522	788	154	225	310	522	788	941	154	225	310	522	788	941
	CFM	CFM	CFM	CFM	CFM	CFM	CFM	CFM	CFM	CFM	CFM	CFM	CFM	CFM	CFM	CFM	CFM

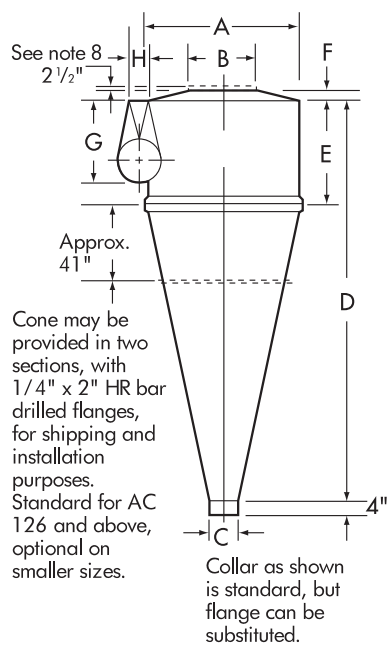
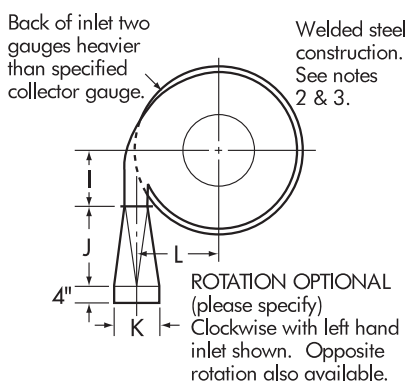
Cyclone Collectors (continued)



Model AC Cyclone - High Volume

Rolled and fabricated long cone design for high volume applications.

- Two Piece Design
- Special Materials Available
- 18" to 144" Diameters in 6" Increments
- High Volume - 500 to 45,000 CFM



MODEL	CFM	A	B	C	D	E	F	G	H	I	J	K	L	Ship. Wt.
AC-18	500	18	9	5	44 1/4	15	1 1/4	10	2 1/2	8	12 1/2	5	9 5/8	90
AC-24	900	24	11	5	60 3/4	18	1 1/2	12	3	9	15	6	12 3/4	150
AC-30	1450	30	14	5	77 1/4	21	1 7/8	15	4	12	17 1/2	8	16	225
AC-36	2000	36	16	6	91	23	2 1/4	18	4 1/2	13	20	10	19 1/2	310
AC-42	2500	42	18	6	108	26	2 5/8	20	5 1/2	15	20	12	22 3/8	400
AC-45	2900	45	20	6	117	28	2 7/8	22	6	15 1/2	22 1/2	13	24	450
AC-48	3300	48	22	8	121	31	3	24	6 1/2	16	25	14	25 5/8	510
AC-54	4100	54	24	8	137	34	3 3/8	26	7	18	27 1/2	15	28 3/4	600
AC-60	5000	60	27	8	142	38	3 3/4	28	8	20	30	16	32	700
AC-66	6000	66	30	8	156	40	4 1/8	30	9	22	31	18	35 1/4	840
AC-72	7100	72	33	10	166	42	4 1/2	33	10	24	32	20	38 1/2	950
AC-78	9300	78	36	10	180	44	4 7/8	36	11	26	33	22	41 3/4	1100
AC-84	11000	84	39	10	194	46	5 1/4	39	12	28	34	24	45	1275
AC-90	13500	90	42	10	208	48	5 5/8	42	13	30	35	26	48 1/4	1425
AC-96	15000	96	45	12	218	50	6	45	14	32	36	28	51 1/2	1600
AC-102	17200	102	48	12	232	52	6 5/8	48	15	34	37	30	54 3/4	1805
AC-108	19500	108	51	12	246	54	6 3/4	48	17	36	38	32	58 1/4	2035
AC-114	22000	114	54	12	257	56	7 1/8	48	19	38	39	34	61 3/4	2315
AC-120	25000	120	57	12	271	58	7 1/2	48	22	40	40	36	65 1/2	2620
AC-126	30000	126	60	14	287	62	7 3/4	51	24	42	41	38	68 3/4	3300
AC-132	35000	132	63	14	301	64	8	54	26	44	42	40	72 1/4	3900
AC-138	40000	138	65	14	314	66	8 3/8	57	28	46	43	43	75 3/4	4600
AC-144	45000	144	68	14	328	68	8 3/4	60	30	48	44	45	79 1/4	5400

STANDARD GAUGES: AC 18-60, 16 GA.; AC 66-90, 14 GA.; AC 96-144, 12 GA.
BACK OF INTAKE TWO GAUGES HEAVIER.
SHIPPING WEIGHTS ARE FOR STANDARD GAUGES.