

Inlet Filters

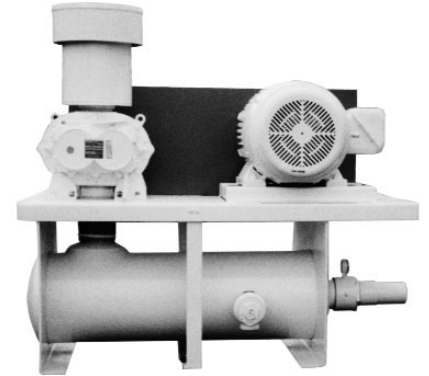
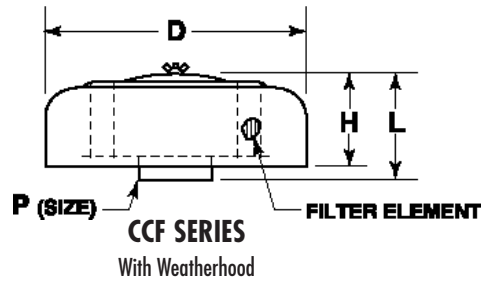


Inlet filters and filter silencers offer durable construction and easy to replace filter element. These filters can be used for numerous applications and are well suited for use with positive displacement blowers

- Sizes 0.5" Through 3.5" Standard with Female Thread Connections
- Sizes 4.0" and 5.0" Optional Female Thread or Flanges (please specify)
- Sizes 6.0" and 15" Standard with Pipe Flanges



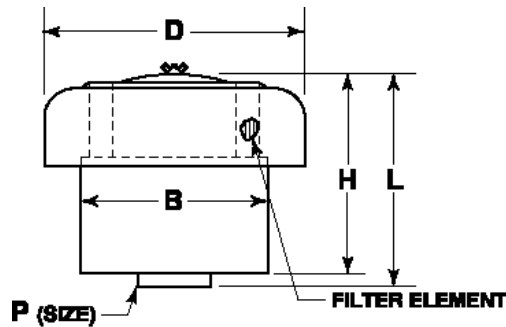
CCF SERIES
(With Weatherhood) Is Illustrated



Model	Connection	CFM	P	D	H	L	Wt.	Element
CCF-1.5	THR	75	1.5	9.0	3.5	3.5	4.5	81-0471
CCF-2	THR	120	2.0	9.0	3.5	3.5	4.5	81-0471
CCF-2.5	THR	190	2.5	12.0	3.5	5.5	11	81-0472
CCF-3	THR	275	3.0	12	3.5	5.5	11	81-0472
CCF-3.5	THR	375	3.5	12.0	3.5	7.75	16	81-1063
CCF-4	THR	500	4.0	12.0	3.5	7.75	16	81-1063
CCF-4	FLNG	500	4.0	12.0	3.5	7.75	16	81-1063
CCF-5	THR	750	5.0	16	3.5	10.5	34	81-0474
CCF-5	FLNG	750	5.0	16.0	3.5	10.5	34	81-0474
CCF-6	FLNG	1100	6.0	18.0	3.5	12.5	40	81-0475
CCF-8	FLNG	2200	8.0	18.0	3.5	20.5	50	(2)81-0475



CCS SERIES
(With Weatherhood) Is Illustrated



CCS SERIES
With Weatherhood

Model	Connection	CFM	P	D	H	L	Wt.	Element
CCS-1.5	THR	75	1.5	9.0	7.25	7.88	6.0	81-0471
CCS-2	THR	120	2.0	9.0	7.25	7.88	6.0	81-0471
CCS-2.5	THR	190	2.5	12.0	11.5	12.25	14	81-0472
CCS-3	THR	270	3.0	12.0	11.5	12.25	14	81-0472
CCS-3.5	THR	375	3.5	12.0	14.0	14.75	20	81-1063
CCS-4	THR	500	4.0	12.0	14.0	14.75	20	81-1063
CCS-4	FLNG	500	4.0	12.0	14.0	14.75	22	81-1063
CCS-5	THR	750	5.0	16.0	17.75	20.75	40	81-0474
CCS-5	FLNG	750	5.0	16.0	17.75	20.75	42	81-0474
CCS-6	FLNG	1100	6.0	18.0	23.25	26.25	50	81-0475
CCS-8	FLNG	2200	8.0	18	31.5		60	(2)81-0475